

EasyClear™

Clearwater, Fountain & Waterfall Pump

INSTALLATION AND OPERATING INSTRUCTIONS. READ INSTRUCTIONS CAREFULLY BEFORE ATTEMPTING INSTALLATION. KEEP THESE INSTRUCTIONS FOR FUTURE REFERENCE

The Hozelock Cyprio EasyClear™ Clearwater, Fountain & Waterfall pump is designed for submersible use in outdoor ponds. It is an integrated unit that provides Mechanical & Biological Filtration with an Ultra Violet Clarifier, Fountain and Waterfall outlet.

ATTENTION - UV CAUTION

Exposure to Ultra Violet (UV) radiation can be dangerous and cause damage to eyes and skin. Under no circumstances should any attempt be made to gain access to the lamp when the unit is switched on. When switched on, the lamp can be checked for operation by looking for a bluish glow from the ball joint outlet (Fig 2-D).

From 1st January 2005 installing this product in the garden is classed as 'notifiable' in the revised Building Regulations for England and Wales. The Regulations now require you to tell your local authority building control department that you intend to install this product before installation. Your local authority will let you know how you can get your installation approved.

AUTOMATIC CUT-OUT.

To help ensure your EasyClear's long life and to prevent damage, it is fitted with automatic thermal overload protection on the pump and UVC. This switches the pump or UVC off if either overheats. If this occurs, switch off the power at the mains supply to the unit. Check for the cause (usually it will be debris blocking the inlet of the pump or obstructing the impeller). Remove the obstruction and wait 15 minutes for the unit to cool down and automatically reset. Then switch it on again.

The UVC lamp will still operate if the pump automatic thermal overload protection is activated.

NOTE: YOU MUST SWITCH OFF THE MAINS SUPPLY BEFORE THE UNIT WILL RESET.

Pond size

The EasyClear™ can maintain ponds of up to 4000 litres. However, for best

results, certain conditions may need to be taken into account. Ponds that are heavily stocked with fish, or less than 0.5 metres (1'8" feet) deep, or situated in warm climates or exposed to direct sunlight for long periods of time will lead to excessive algae growth and fish activity. This results in greater demands on the filtration system. The pond sizing chart at the end of these instructions give guidelines on recommended pond sizes, relating to these conditions.

Periods of Operation

Keep the filter working 24 hours a day. Ideally it should run all year round, but at least throughout the fish feeding season, (ie until the water temperature falls below 10°C and the fish stop feeding). In winter, operating the unit will maintain a basic level of useful bacteria in the Biological Filter and will help prevent the pond icing over. However, the unit must not be allowed to freeze. If you switch the unit off for winter, wash the unit thoroughly before resuming filtration in the spring (see 'Winter Storage', 9.0). Never feed your fish when the unit is not in use.

Maturation

Biological maturation means that the filter has built up enough nitrifying bacteria in the Biological Filter to convert harmful fish waste and other organic waste (ie Ammonia, Nitrite) into relatively harmless Nitrate. The process normally takes 6-8 weeks, but depends on many factors such as water temperature, feeding rate and stocking density.

1.0 IMPORTANT

1.1 WARNING: ALWAYS UNPLUG OR DISCONNECT ALL APPLIANCES IN THE POND FROM THE ELECTRICITY SUPPLY BEFORE PUTTING YOUR HANDS IN THE WATER WHILST EQUIPMENT IS BEING INSTALLED, REPAIRED, MAINTAINED OR HANDLED.

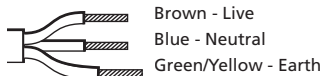
1.2 Do not use the supply cable to lift the unit, as this may cause damage. We recommend fitting a lifting cord to the hook feature on the base, when

the filter is installed in deep water. (Fig 2-I).

- 1.3 Do not operate or leave the unit in freezing conditions.
- 1.4 Do not allow the unit to run dry. The water level should be above the UVC indicator at the ball joint (Fig 4-L).
- 1.5 Check that the voltage marked on the unit corresponds to the mains supply.
- 1.6 A 10mA OR 30mA RESIDUAL CURRENT DEVICE (RCD) MUST BE FITTED TO THE MAINS SUPPLY.
- 1.7 **DO NOT OPERATE THIS UNIT WITHOUT THE OUTER CAGE ATTACHED. USING THE UNIT WITHOUT THE OUTER CAGE MAY INVALIDATE YOUR WARRANTY.**
- 1.8 The pump does not use oil or grease for lubrication and can be used safely in ponds containing fish or plants. The motor consists of a sealed stator and water cooled permanent magnet rotor. All electrical components are isolated from the water.
- 2.0 **WARNING: SAFETY AND ELECTRICAL CONNECTIONS**
- 2.1 The pump is supplied with 10m of 3 core electric cable which is permanently connected and sealed to the pump. The supply cable cannot be replaced. If the cable is damaged, the unit should be discarded. This product is designed to be permanently wired to the mains supply in a dry weatherproof enclosure through a Double-Pole Switched Fused Spur - (Disconnecter) to BS 3676, with a minimum contact separation of 3mm in each Pole & Fitted with a 3 or 5 Amp fuse.

The installation must conform to the national and local wiring regulations which could include the use of plastic or metal conduit to protect the cable.

- 2.2 **THIS APPLIANCE MUST BE EARTHED AND IT IS ESSENTIAL THAT THE CONNECTIONS ARE MADE USING THE FOLLOWING CODE;**



The BROWN lead should be connected to the LIVE terminal which may be marked with an 'L' or coloured brown or red. The BLUE lead should be connected to the NEUTRAL terminal which may be marked with an 'N' or coloured blue or black. The GREEN/YELLOW lead should be connected to the EARTH terminal which may be marked with an 'E' or coloured green or green/yellow.

2.3 If an extension cable is required, this should be connected to the end of the unit cable using a weatherproof connector. The joint must be positioned in a suitable weatherproof housing. The extension cable should be of 3 core 0.75mm² Polychloroprene rubber insulated cable (ref: H05 RN-F) and permanently wired to the mains supply with a 3 or 5 Amp fuse.

2.4 The unit cable (and extension cable) should be positioned and adequately protected against damage especially where contact with gardening equipment (lawn mowers, forks etc.) children and domestic animals may occur.

2.5 **CONSULT A QUALIFIED ELECTRICIAN OR LOCAL AUTHORITY IF IN ANY DOUBT ABOUT WIRING TO THE MAINS SUPPLY.**

2.6 The clear tube inside the unit is made from quartz glass and care should be taken during installation and maintenance. We recommend the use of eye protection and suitable gloves.

3.0 ACCESSORY ASSEMBLY

3.1. Bell Fountain (Fig 2).

Locate the Bell Support (E) to the Bell Main Body (F) and push fully home. Position the Bell (G) to the Body Assembly and press into the central location.

3.2.2 and 3 tier fountain display assembly (Fig 2-H).

The plastic discs that create the 2 and 3 tier water displays simply snap onto the fountain stem.

4.0 INSTALLATION

4.1 Place the unit next to the pond and route the cable back to the mains supply. Ensure that you allow for enough cable for positioning the product in the desired location in the pond.

Fountain operation. (See Fig 3 for general installation guide).

4.2 Position - Construct a solid level platform on which to place the EasyClear™. The platform should be greater than 300 mm (12") below the water level. For depths between 300mm and 600mm use the fountain stem extension segments (Fig 11-6), which simply screw together, to allow the fountain to be above the water level. For general installation see Fig 3.

PLEASE NOTE: The product has a water by-pass to control water flow rates which means a quantity of water will always come out of the product just below the flow control. This is normal in

operation.

4.3 Position the unit in the pond. The 2 and 3 tier fountainheads simply snap onto the fountain stem (Fig 2). The fountain angle can be adjusted to be vertical using the ball joint (Fig 4). The tightness of the ball joint can be adjusted (Fig 4-M)

4.4 If required, the 2-Tier Fountainhead can be used to achieve an alternative and higher display pattern than the 3-Tier.

4.5 The fountain height can be adjusted to suit your needs by rotating the Fountain Flow Adjuster (Fig 5-N). Rotate the waterfall adjuster to the 'MIN' position (Fig 5-P).

4.6 The Bell Fountain creates a decorative waterbell. The size of the bell can be adjusted to suit your needs by rotating the Fountain Flow Adjuster (Fig 5-N).

Fountain and Waterfall. (See Fig 3 for general installation guide).

4.7 Position the pump as previously described.

4.8 Attach a suitable length (3m maximum) of 25 mm (1") hose to the Threaded Hose tail, Fig 5-O), and secure with a suitable hose clip and position the outlet end of the hose in the desired position.

4.9 Screw the Threaded Hose tail onto the waterfall outlet on the side of the EasyClear™ (Fig 5-O).

4.10 The combination of waterfall and fountain will reduce the fountain height that can be achieved.

4.11 Once the pump is operating the flow of the waterfall and the height of the fountain can be independently adjusted using fountain flowadjuster (Fig 5-N) and waterfall flow adjuster (Fig 5-P).

Waterfall Only. (Fig 3 for general installation guide)

4.12 Screw the blanking plug onto the fountain outlet (Fig 2-K).

4.13 Position the pump as previously described.

4.14 Attach a suitable length (3m maximum) of 25 mm (1") hose to the Threaded Hose tail and secure with a suitable hose clip and position the outlet end of the hose in the desired position.

4.15 Screw the Threaded Hose tail to the waterfall outlet of the EasyClear™ (Fig 5-O) and adjust the flow using the waterfall flow adjuster, (Fig 5-P), to suit your needs.

UVC operation

4.16 The UVC will automatically switch on once the unit has been connected to the electricity supply.

4.17 The UVC lamp can be checked for operation by looking for a bluish glow from ball joint outlet (Fig 2-D).

4.18 See Maintenance section 5.4 for Lamp replacement.

5.0 MAINTENANCE

The Hozelock Cyprio EasyClear™ has been designed to allow fast and easy maintenance. As with all pond equipment, occasionally it will become necessary to clean or replace parts. Refer

to section 1 & 2 before attempting any maintenance.

ALWAYS UNPLUG OR DISCONNECT ALL APPLIANCES IN THE POND FROM THE ELECTRICITY SUPPLY BEFORE PUTTING YOUR HANDS IN THE WATER OR STARTING MAINTENANCE.

5.1 Fountain Head (Fig 2-J)

a - Place a coin or similar in the slot and gently lever off the fountain head.

b - Rinse in clean water and reassemble.

5.2 Foam

a - Release the Foam Cover by pushing the two grey buttons (Fig 6-R) and lift the cover (Fig 7-5).

b - Lift the Foam with the Foam Support (Fig 8-T). Note :- If the unit is out of the pond for more than 20 minutes the biological filter action may stop working.

c - Lift the Foam and stone bags off the Foam Support, rinse all parts in a bucket of pond water and reassemble.

d - The Foam Cover and Base should also be rinsed.

e - Reassemble the Filter.

5.3 Quartz Tube

a - Remove the bayonet locking screw (Fig 1-A), twist and lift the bayonet tube (Fig 1-B).

b - Clean the Quartz Tube. Especially in hard water areas, the quartz tube may become covered in limescale, which will reduce efficiency. Clean the tube with a soft cloth and a gentle de-scaler, rinse in water before refitting.

5.4 Lamp replacement

Change the lamp at the start of the new season. Even though the lamp still glows it may not be giving out any useful UV radiation.

a - How well the EasyClear™ performs is related to the strength of the UV radiation produced. This will slowly decline from the day your lamp is switched on. The UVC lamp has an effective life of 12 months. You need to change the lamp when there is a significant reduction in water clarity. Make sure this is due to an expired lamp and not a badly maintained filter or a dirty/limescaled quartz sleeve. Both can greatly reduce UV transmission into the water.

b - Remove the Bayonet Tube assembly - ref to section 5.3.

c - Remove the quartz tube, rotating the plastic moulding anticlockwise and lifting up and away (Fig 9-U).

d - With the lamp now accessible pull it out of the holder (Fig 9-V) and push in a new lamp.

e - Reassemble the filter and switch back on.

5.5 Biological Filter

Normally, there is no need to remove the bio-media as any cleaning may kill the colonies of bacteria that make toxic waste harmless.

a - Remove the foam - ref to section 5.2.

- b - Remove the 4 off fixing screws (Fig 10-X) and lift the base clear.
- c - The 12 off pieces of Biomedica (3 off either side of the pump) can be removed for cleaning. 4 off fit into the base (Fig 10).
- d - Wash in pond water.
- e - Reassemble the filter and restart.

- f - Reroute the cable(Fig 10-BB).
- g - Reassemble the filter, and restart.

6.0 ALL YEAR PUMP CARE

A quick daily check should be carried out to ensure that the pump is performing satisfactorily.

Once a week- Remove the outer casing and Fountain Head in accordance with the general maintenance notes. Depending on pond water conditions, cleaning may be required more frequently.

Once a year- Completely disassemble the unit including the Rotor Assembly as described in the general maintenance notes, refer to sections 5.1 - 5.6, and wash all components in clean, freshwater. Replace worn or broken parts.

5.6 Rotor Assembly

- a - Remove the foam – ref to section 5.2.
- b - Remove the 4 fixing screws (Fig 10-X) and lift the base & biomedica clear.
- c - Remove the 2 fixing screws (Fig 10-Y) and lift the Pump Assembly clear.
- d - Twist the Pump Chamber anti-clockwise (Fig 10-Z) and lift clear. The rotor can now be pulled out for cleaning or replacement (Fig 10-AA).
- e - Reassemble the pump and 2 off fixing screws (Fig 10-Y).

7.0 SPARE PARTS (refer to Fig 11).
Contact the Consumer Services Helpline on 0870 850 1959.

Item Numbers	
1. Foam.	1407
2. UV Lamp.	1520
3. Quartz Tube.	1529
4. Pump chamber & O-Ring.	Z13249
5. Pump rotor.	3439
6. Fountain and extension segment bagged set.	Z31785
7. Foam cover.	Z13228
8. Foam support.	Z13230

8.0 HOZELOCK CYPRIO 2 YEAR GUARANTEE

If this unit, excluding the Rotor Assembly, Filter Foam & UV Lamp becomes unserviceable within 2 years of the date of purchase it will be repaired or replaced at our option free of charge, unless in our opinion it has been damaged or misused. Liability is not accepted for damage due to accident, improper installation or use.

Liability is limited to replacement of a faulty unit. This guarantee is not transferable. It does not affect your statutory rights.

To obtain the benefits of the guarantee, firstly contact Hozelock Cyprio Consumer Services who may request that the filter is sent along with proof of purchase directly to the address provided.

DAMAGE CAUSED BY RUNNING THE FILTER DRY OR BY FROST INVALIDATES THE GUARANTEE.

9.0 WINTER STORAGE

When not in use, the unit should be removed, thoroughly washed and cleaned, dried and stored in a dry frost protected area. Always store the unit with the foam and foam cover off to ensure adequate ventilation and drying. Refer to maturation section when restarting the unit.

10.0 - FISH STOCKING RATE AND DENSITY

Under normal conditions, the EasyClear™ will support up to 144cm of fish. Introduce fish slowly over the first few weeks, up to 20% of the maximum recommended level, increasing to 50% after six months. The balance will allow for fish growth.

FAULT FINDING.

WARNING: ALWAYS UNPLUG OR DISCONNECT ALL APPLIANCES IN THE POND FROM THE ELECTRICITY SUPPLY BEFORE PUTTING YOUR HANDS IN THE WATER WHILST EQUIPMENT IS BEING INSTALLED, REPAIRED, MAINTAINED OR HANDLED.

LOW FLOW FROM PUMP	<ul style="list-style-type: none"> a - Ensure the outer cage is clean. b - Clear any blockages and adjust the flow controls. c - Check recoil flap inside pump chamber moves freely.
POOR FOUNTAIN DISPLAY	<ul style="list-style-type: none"> a - Clean the Fountain Head. (see maintenance section 5.1)
UV LAMP NOT WORKING	<ul style="list-style-type: none"> a - Check power supply is on. b - Check fuse and wiring c - Replace the lamp – refer to section 5.4
PUMP NOT WORKING	<ul style="list-style-type: none"> a - Check power supply is on. b - Check fuse and wiring. c - The pump may have over heated as a result of the rotor getting jammed. d - Check the rotor assembly – refer to section 5.6. e - The AUTOMATIC CUT-OUT may have operated – see ATTENTION section. f - Ensure the outer cage is clean.

POND SIZING CHART

Use this chart to ensure that your EasyClear™ is operating in the correct conditions to guarantee clearwater. Pond depth, location and climate will affect how big a pond can be.

POND SIZING CHART		▽ Hmax - 1.6m		
Location and Depth	Fish type	Litres (Gallons)		
		Mild Climate	Warm Climate	Hot Climate
Shade More than 0.5m deep	Goldfish 56"	4000 (880)	3600 (800)	3200 (700)
	Goldfish 28"	5000 (1100)	4500 (990)	4000 (880)
	Goldfish 0"	6000 (1320)	5400 (1190)	4800 (1060)
Shade Less than 0.5m deep	Goldfish 56"	3600 (800)	1600 (700)	1400 (600)
	Goldfish 28"	4500 (990)	2000 (880)	1750 (770)
	Goldfish 0"	5400 (1190)	2400 (1060)	2100 (920)
Sunlight More than 0.5m deep	Goldfish 56"	3600 (800)	1600 (700)	1400 (600)
	Goldfish 28"	4500 (990)	2000 (880)	1750 (770)
	Goldfish 0"	5400 (1190)	2400 (1060)	2100 (920)
Sunlight Less than 0.5m deep	Goldfish 56"	3200 (700)	2800 (600)	1200 (250)
	Goldfish 28"	4000 (880)	3500 (770)	1500 (320)
	Goldfish 0"	4800 (1060)	4200 (920)	1800 (400)

Mild climate - eg. Northern Europe. Warm climate - eg. Southern Europe. Hot climate - eg. South Africa

Hozelock Cyprio

Midpoint Park, Birmingham B76 1AB.
England.
Telephone: 0870 850 1959
www.hozelock.com
The Aquatics division of Hozelock Group

Fig. 1

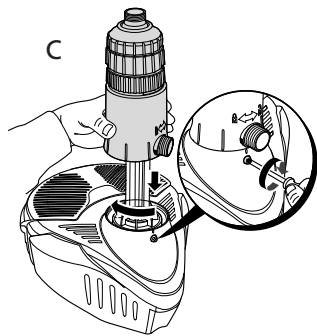
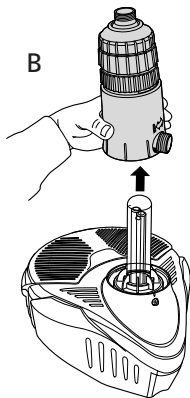
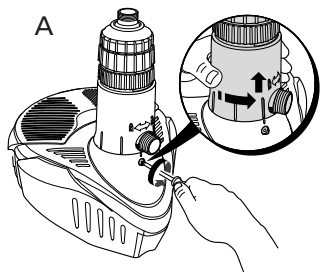


Fig. 2

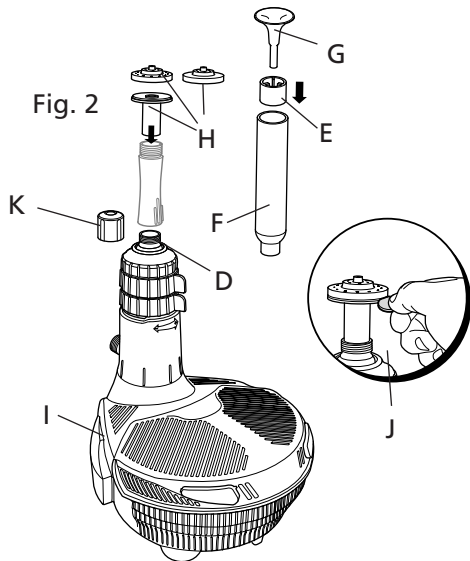


Fig. 3

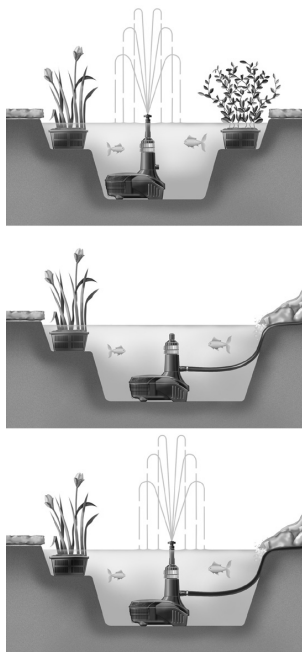


Fig. 4

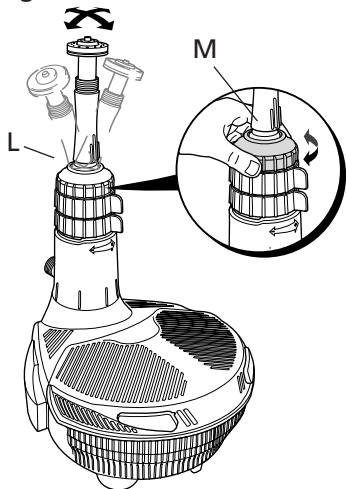


Fig. 5

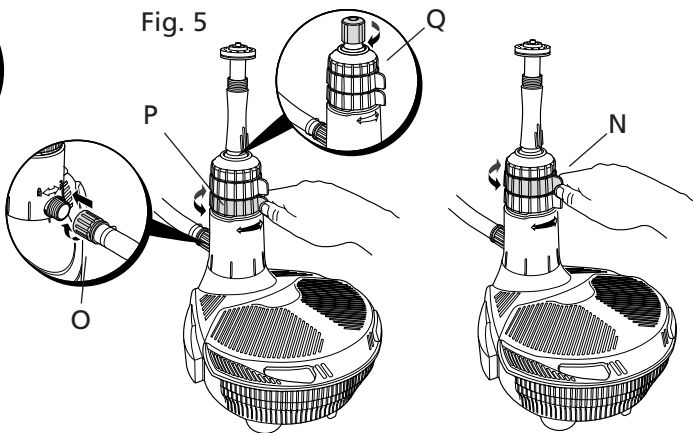


Fig. 6

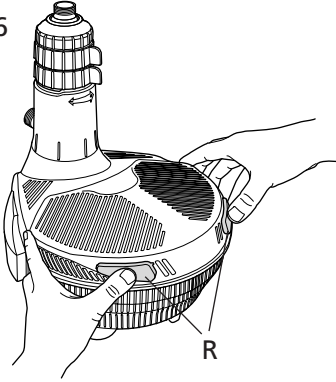


Fig. 7

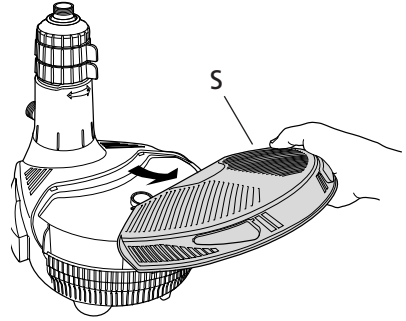


Fig. 8

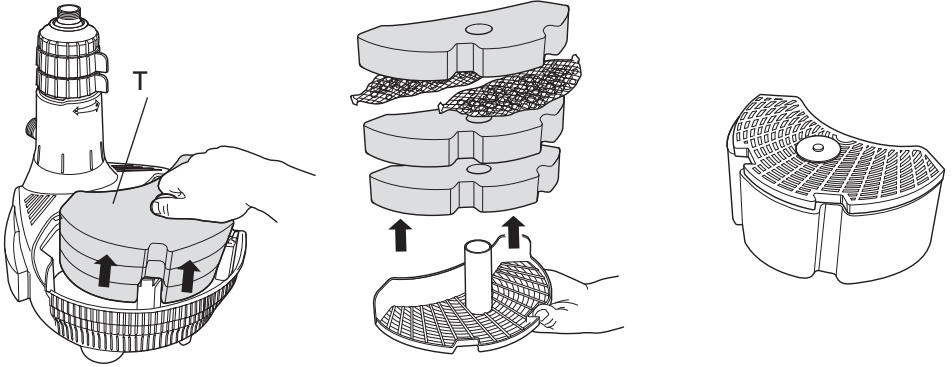


Fig. 9

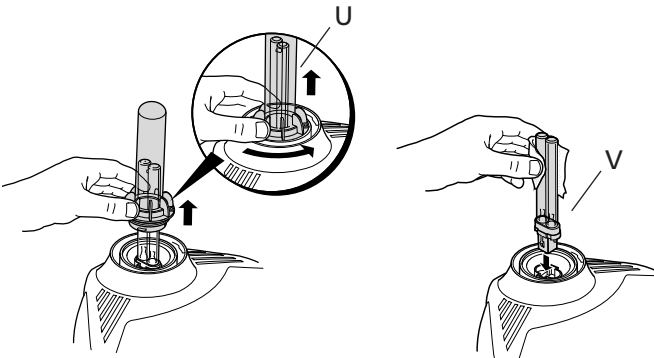


Fig. 10

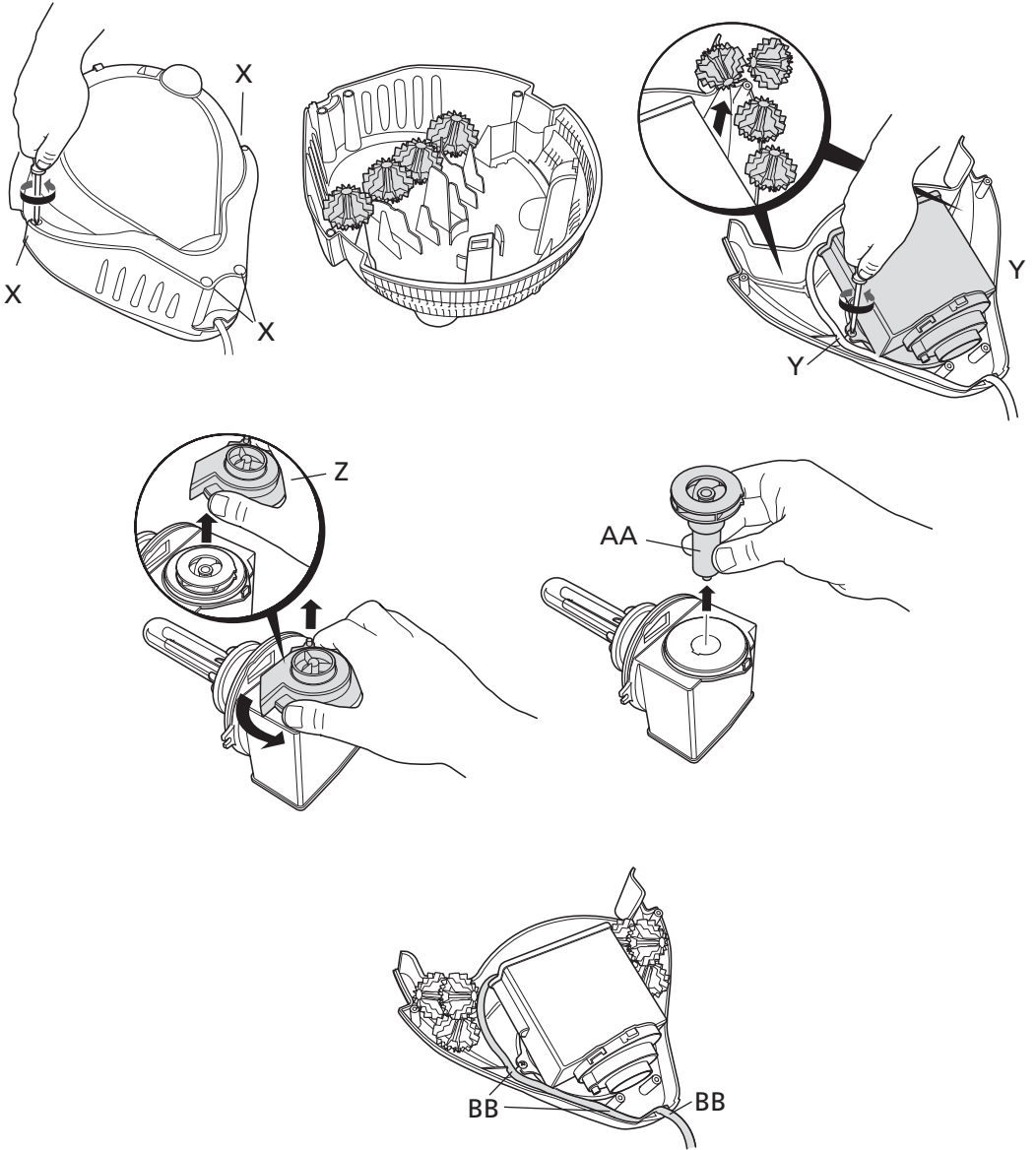
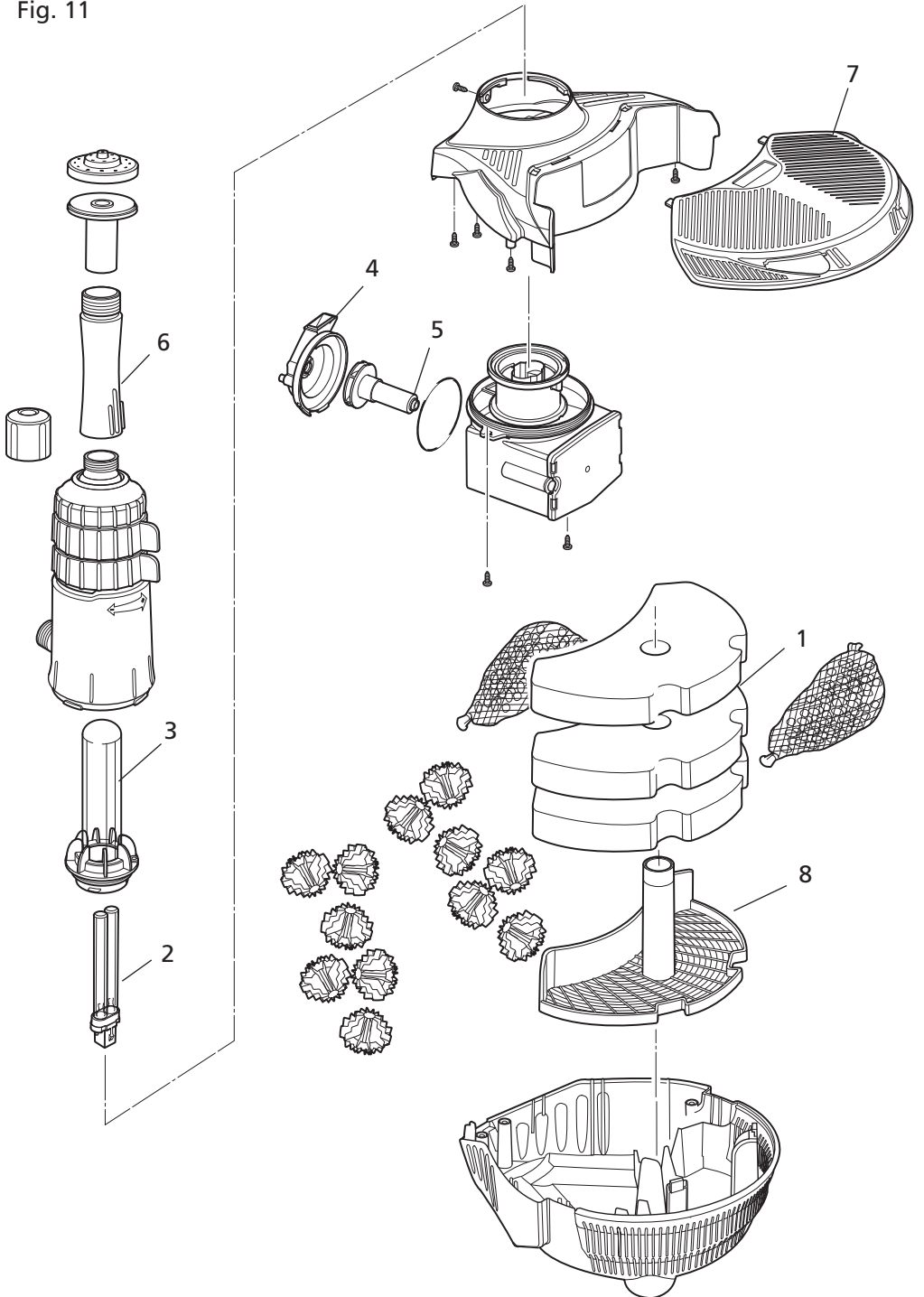


Fig. 11





Hozelock Cyprio
Midpoint Park, Birmingham B76 1AB. England.
Tel: +44 (0)870 850 1959
www.hozelock.com

The Aquatics Division of Hozelock Group

33650-002



**PLEASE
NOTE:
Do not
dispose of in
household
waste**